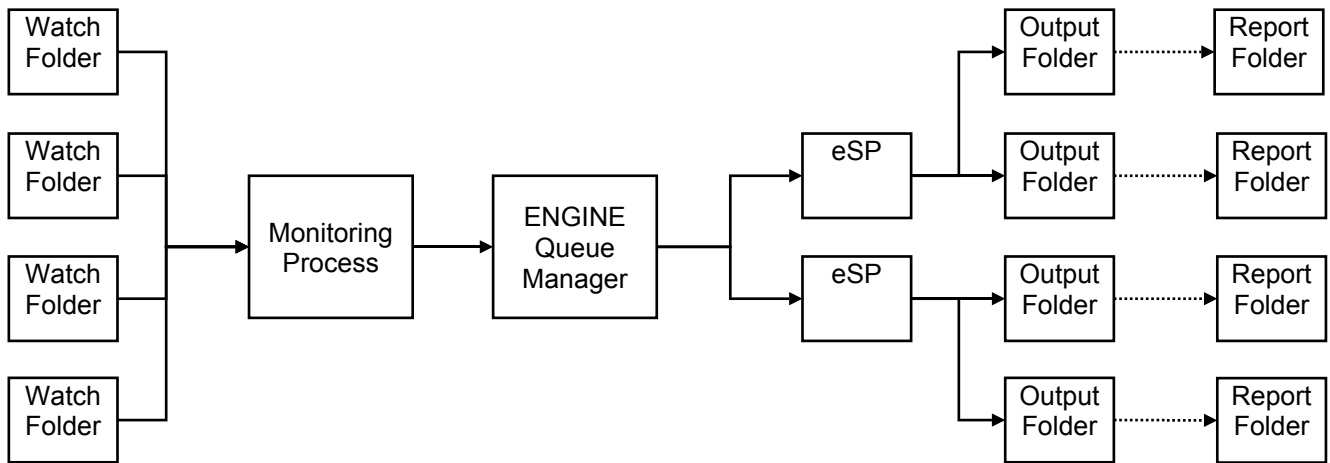


Watch Folder System



Notes

Standard eENGINE licenses support four watch folders, and up to 16 are available as an option.
 This diagram shows two eSP (Signal Processors). ENGINE has between one and eight, depending on purchase.
 Although each Output Folder is shown having an individual Report Folder, this is flexibly configurable.
 The 'Monitoring Process' is carried out by the "WF Server".
 The 'Queue Management' is carried out inside "eFLOW"